

## RRQ40-XXX

### AM Superhet Receiver with Crystal Oscillator and Squelch Circuit



#### General description

The RRQ40-XXX is an AM superhet data receiver with crystal oscillator.

A squelch function is implemented to reduce output "noise" when no transmitter is active.

Receiver Frequency: 40.685 MHz

IF Frequency: 455 KHz

Typical sensitivity: -107 dBm

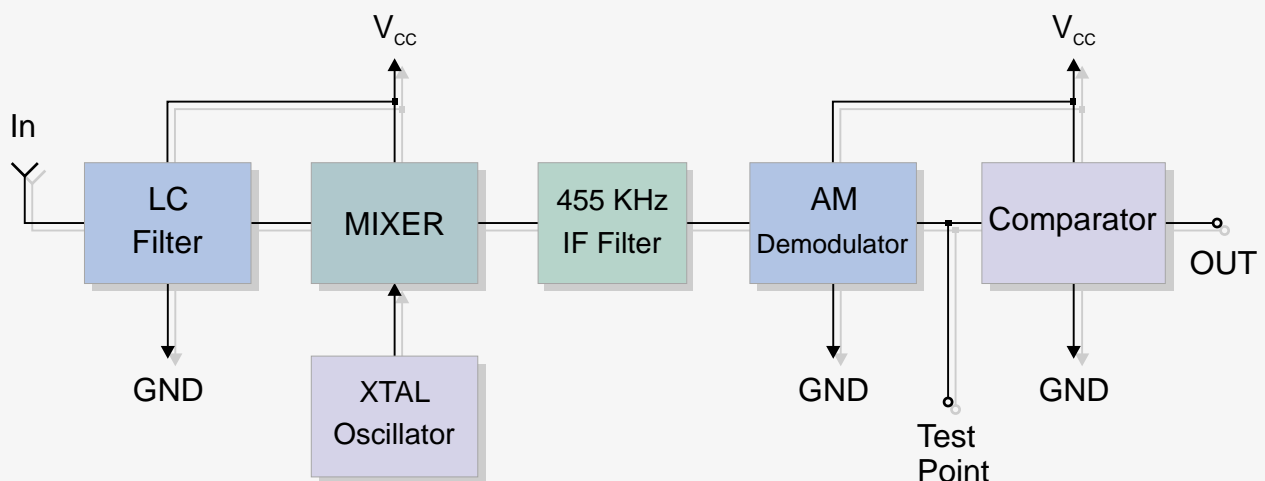
Supply current: 5.5 mA (typ)

#### Applications

- Wireless security systems
- Car Alarm systems
- Remote gate controls
- Sensor reporting

**XXX:** custom-specified working frequency  
(28 ÷ 42 MHz)

#### BLOCK DIAGRAM



## Electrical Characteristics

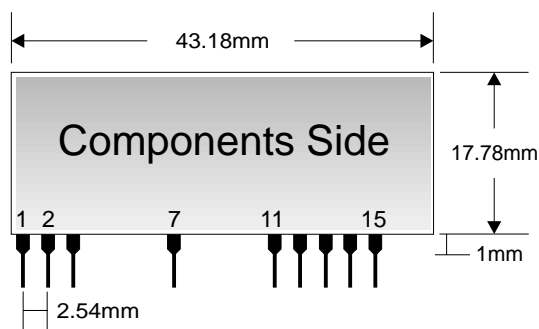
Ta = 25°C unless otherwise specified

CHARACTERISTICS		MIN	TYP	MAX	UNIT
V <sub>CC</sub>	Supply Voltage	2.7	5	5.5	VDC
I <sub>S</sub>	Supply Current		5.5	6	mA
F <sub>R</sub>	Receiver Frequency		40.685		MHz
	RF Sensitivity (100% AM)		-107		dBm
B <sub>w</sub>	-3dB Bandwidth		±15		KHz
	Max Data Rate			4.8	Kbit/s
	Level of Emitted Spectrum			-60	dBm
V <sub>ol</sub>	Low-Level Output Voltage (I=200uA)			0.8	V
V <sub>oh</sub>	High-Level Output Voltage (I=-50uA)	V <sub>CC</sub> - 1			V
T <sub>OP</sub>	Operating Temperature Range	-25		+80	°C

## Pin Description

1	V <sub>CC</sub>
2	GND
3	IN
7	GND
11	GND
12	V <sub>CC</sub>
13	Test Point
14	OUT

## Mechanical Dimensions



## TYPICAL APPLICATION

